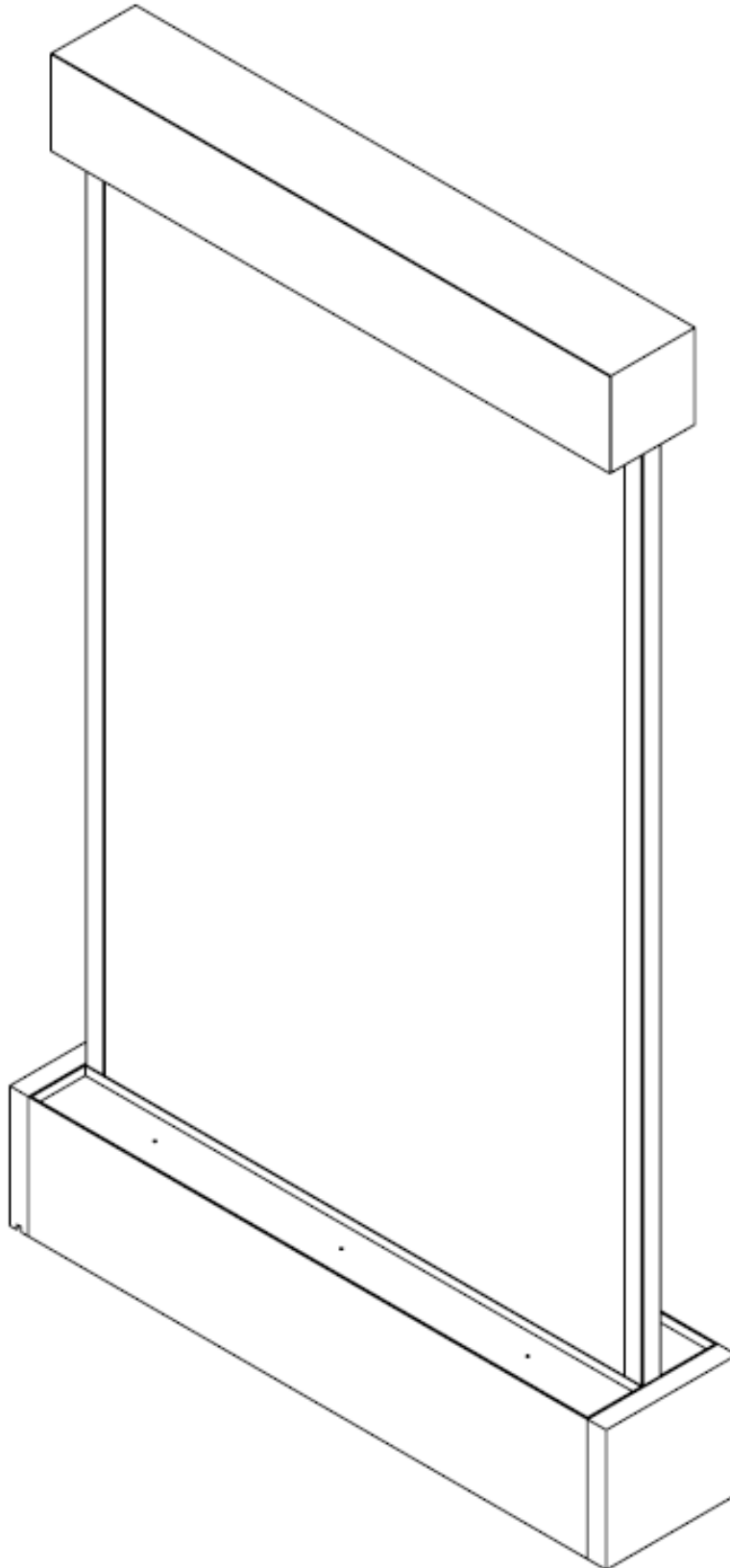




MIDWEST TROPICAL
CUSTOM WATER FEATURES

INSTALLATION + MAINTENANCE MANUAL
CUSTOM WATER PANEL
COMPONENTS & INSTALLATION

Glass Waterfall Installation Guide



Glass Waterfall Installation Guide

Welcome	3
Product features	
Uncrating the unit	4
Tools	
Installation	
Waterfall technical information	6
Technical drawings	
Installed components	
Installation and operation	9
What you will need	
Cleaning and maintenance	12
Pump and UV sterilizer	
Maintaining the water	
General cleaning	
Troubleshooting	

Glass Waterfall Installation Guide

Welcome

Congratulations on receiving your new glass waterfall. This document contains the information you need to install, operate and troubleshoot your new water feature.

Product Features

- Decorative glass waterfall housed inside of a stainless steel frame.
- All components are included inside the unit upon arrival to your door.
- UV sterilizer included to assist in preventing growth of micro-organisms.

Glass Waterfall Installation Guide

Uncrating Shipping Container

Your water feature was sent to you inside of a wooden crate to protect the water feature from any damages. The following documentation will walk you through how to uncrate your waterfall

Tools You Will Need

Safety gloves
Electric drill
No 2 Phillips bit
Bit holder
Glass holders
Pair of flat/ platform dollies

Instructions

1. Your container will be marked to indicate which side is the front of the water feature.
2. Position the package so that the indicated front face is facing towards the ceiling.
3. Starting from the marked front face of the panel use the drill with the No2 Phillips bit to begin undoing all of the screws. Remove the cardboard.
4. The waterfall is wrapped in plastic and surrounded by protective insulation foam.
5. Remove the top layer of insulation foam, but do not throw it away. You can re-use the foam to protect the stainless steel while you move it into its final position.
6. Remove the cardboard from the other sides of the shipping container. Also, remove the wooden frame pieces from all sides.
7. Once all of the wood is removed, use the assistance of a few colleague to help pivot the base from its current horizontal orientation into a

Glass Waterfall Installation Guide

vertical orientation.

***Be Cautious: the glass is heavy.**

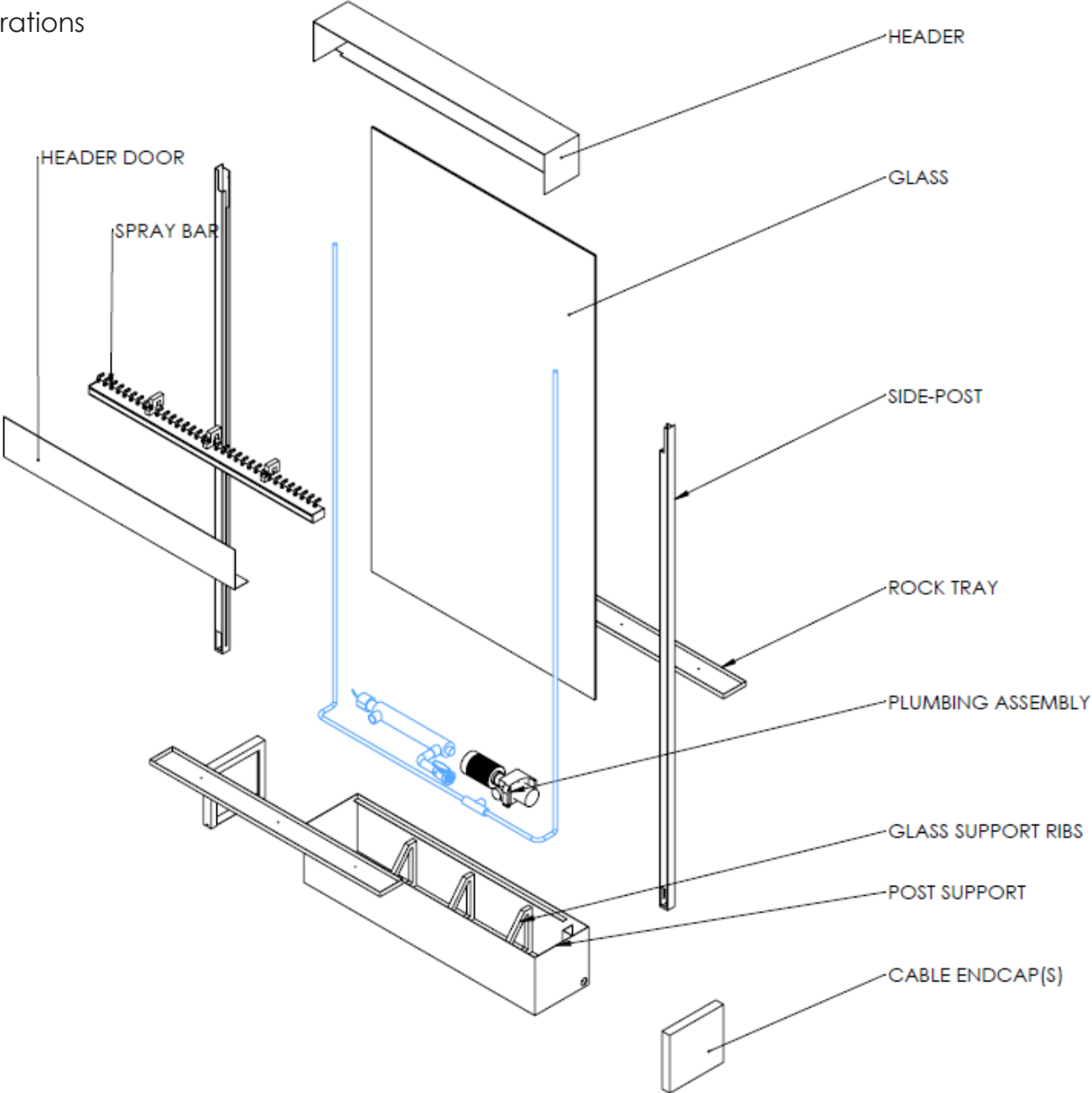
8. The glass is braced in place with more foam to prevent the glass from touching the edges of the metal channels. Too much friction with the metal could cause the glass to crack. **DO NOT REMOVE THE FOAM INSIDE THE POST ON THE FRAME UNTIL THE UNIT IS IN ITS FINAL POSITION.**
9. Use the dollies, if necessary, to move panel near it's final location.

Glass Waterfall Installation Guide

Waterfall Technical Information

Your unit will ship as a standalone water feature. The following will help you better understand what is included inside of your water feature, as well as provide dimensions, and component locations

Technical Illustrations



Glass Waterfall Installation Guide

Installed
Components

- Oase® Water Pump
- Pondmaster® UV Clarifier

Oase® Waterfall Pump

Max Flow rate: **8000GPH**

Power Requirements: 120v / 60 hZ

Power consumption: 460 W

Usage: Submersed usage

Inlet: 2 inch

Pondmaster® UV Clarifier

Max Flow rate: **3000GPH**

Power Requirements: 120v / 60 hZ

Usage: Submersed, in-line, or external

Inlet: 1 - 1/2" threaded X 1 1/2" Barb

Glass Waterfall Installation Guide

Installation And Operation

At this point your waterfall should be outside of the shipping container and near its final position. If not, refer to page 4 of this document. The pump, filter, UV sterilizer, control valves will all be accessible by removing the lid top. The plumbing connections are completed prior to your receipt of the unit. Please remove all packaging inside the base prior to filling the basin with water. Run all electrical cords out of the chase hole on the side of the tank, do not plug in any components until you've filled the base with water.

Tools You Will Need

Liquid level
Shims
Ladder or scissor lift
Microfiber cloth
Phillips screw driver

Pair of low profile dollies
Mallet

It is highly recommended that a party of 3 or more are available to assist in installation.

The unit will will need access to 120VAC 20 AMP Duplex outlet (US Standard outlet).

Step 1: Prepare Installation Location

Before moving the water feature into place, you must ensure the floor is perfectly level and flat.

Remove any debris from the area surrounding the final placement of the water feature. Use a liquid level to check the floor for level.

Step 2: Position The Water Feature

Use a dolly under each end of the water feature to afford the ability to move the waterfall around easily.

Pivot the basin on one of the short edges. Roll one of the dollies under the basin. Next, carefully, tilt the waterfall so that the other dolly can be rolled underneath. Move the waterfall nearest to the final location as possible.

To remove from dollies: Lift one side of the waterfall, remove a dolly then rest the base onto the floor. Do the same for the other side. Now you must slide the waterfall into its final location. After the water fall is in position, check that it is level.

Note* An unleveled waterfall will cause the water to flow improperly.

Glass Waterfall Installation Guide

Step 2 (Cont.): Position The Water Feature

If the waterfall is not level, use shims to level the waterfall.

To use the shims:

Keep the level on the top of the basin of the waterfall. Slightly tilt the waterfall and insert a shim starting from the thinnest end of the shim into the gap between the floor and the bottom of the waterfall unit. Allow the waterfall to rest on the shim. Check the level again. You may have to use the mallet to tap the shim further into underside of the base. Repeat the process until the base is level on all sides.

Once the base is level break off or cut the exposed ends of the shims.

Remove Lid tops on the base

Step 3: Chase Cables

Chase the cables for the water pump and UV sterilizer out of the small hole on the side of the water fall base make sure they reach the outlet.

Step 4: Fill With Water

Your unit requires approximately 36 gallons of water. (We Recommend using distilled water.)

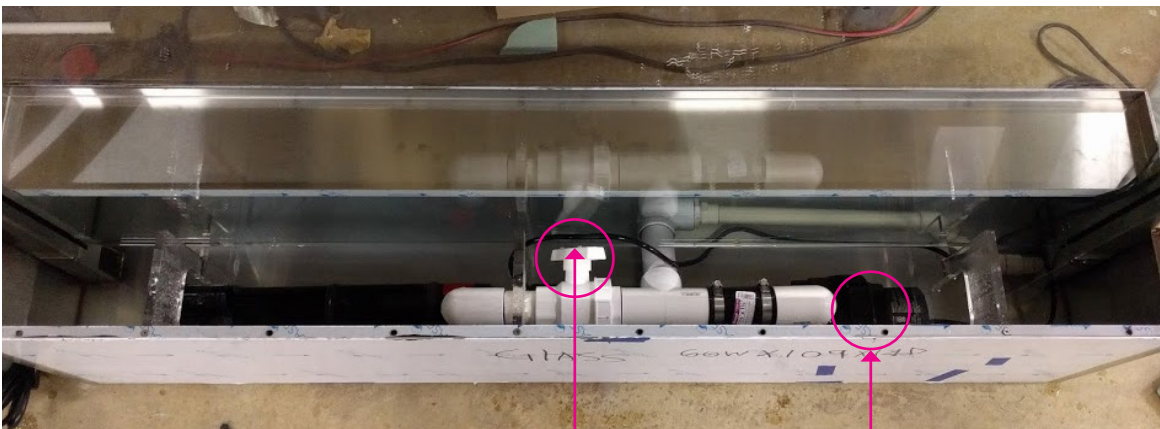
Fill the base directly, do not overfill, The water surface should be at least an inch below the electrical chase hole.

Glass Waterfall Installation Guide

Step 5: Operating The Water Fall

Inside the base there is one valve to control the water flow for the waterfall.

For more water onto the glass turn the valve handle towards perpendicular to the PVC piping. Avoid turning the valve completely perpendicular to the piping as that will decrease the efficiency of the UV sterilizer



Primary control
valve

Water Pump

Step 6 First Run

Connect all cables. The water fall will begin to run. Adjust the primary control valve to achieve the desired speed/ flow of waterfall.

Replace the lid tops and header.

Glass Waterfall Installation Guide

Cleaning And Maintenance

Each unit is fabricated to last for many years. To make sure that it operates and looks as new as possible, perform regular maintenance.

Pump and UV Sterilizer

Oase® Waterfall Pump Cleaning the unit

- Regular cleaning of the pump may be necessary depending upon the environment in which it is operated. Clean the pump when it is visibly soiled or when a drop in performance is detected. Clean the unit with warm water using a soft brush.
- Never use aggressive cleaning agents or chemical solutions. These could attack the housing surface or impair the function.
- In the event of stubborn furring (calcium deposits), a common household cleaner free from vinegar and chlorine can be used. Subsequently, clean the pump thoroughly using warm water.

Pondmaster® UV Clarifier

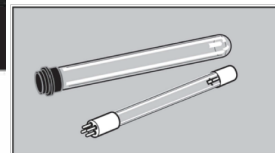
The bulb has a life of 9000 hours before the UV output drops below a useful level. It should remain on 24 hours per day throughout the season. **For the best possible performance, it is recommended that the bulb be replaced every year.** Remember, the bulb will produce visible light long after it has stopped producing UV wavelength.

The quartz sleeve should be cleaned periodically of dirt or lime scale build-up since this will block the UV light and reduce efficiency. Clean the quartz sleeve with vinegar and a scrub pad. Please dispose of the used bulb in accordance with state hazardous waste laws since it contains mercury.

Glass Waterfall Installation Guide

ULTRAVIOLET LIGHTING REPLACEMENT PARTS

Model (UPC #)	Output (Watts)	Replacement Bulb (UPC #)	Replacement Quartz Sleeve (UPC #)	Replacement Ballast (UPC #)
02940	40	12974	12984	12996



NOTE: Use only genuine Pondmaster replacement bulb and quartz sleeve. Always check the UPC codes to assure that you are using the correct wattage bulb and the correct quartz sleeve.

Maintaining the Water

The water inside the basin we need to be regularly maintained to deter growth of micro-organisms, and maintain clear, odorless water. We recommend using Protec® for removing and preventing white scale build up and stains from contaminants in the water. We also recommend using Fountec® to kill all types of algae and prevent re-growth in the water. It also clarifies the water. Replace the water once a year or as needed.

Fountec® Algacide, Clarifier

Before You Start: The most effective use of Fountec is best achieved when fountain and water garden equipment has been checked and is working properly. If needed, backwash or clean the filter according to instructions. Occasional small use of chlorine product to non-chlorine shock helps remove organic waste and excessive algae growths. Follow recommended dosage for your water feature size.

Fountec Treatment Chart			
Fountain Size	Initial Dosage		Weekly Maintenance
	Clean Water	Visible Algae	
1 gal.	1 Drop	2 Drops	1 Drop
10 gal.	10 Drops	20 Drops	5 Drops
100 gal.	1 tsp.	2 tsp.	1/2 tsp
200 gal.	2 tsp.	4 tsp.	1 tsp

Glass Waterfall Installation Guide

Maintaining The Water(Cont)

Maintenance: To maintain water clear and algae-free, add the proper Fountec initial dosage under “Clean” for your fountain size. The addition of Fountec “Weekly Dosage” makes for easier maintenance by keeping water clear and algae-free.

Cleanup: For maximum effectiveness, water containing heavy algae growth should be cleaned of excess debris. Add and dispense proper Fountec dosage under “Visible Algae” directly to water. Super chlorination or shock treatments synergize with Fountec to improve the control of algae. In fountains; a non-chlorine shock is recommended. Follow label instructions. Operate circulation pump during algae clean-up period to ensure thorough distribution and maximum cleanup effect.

Protec® Scale & Stain Remover

Before You Start: Best use of Protec® is achieved when fountain is clean of debris and freshly filled with clean water. Water fountains with normal loss of water due to evaporation require only the “Preventative” Treatment after initial filling. Fountains with some loss of water due to splashing (leakage) require “Optional Monthly dose.”

Glass Waterfall Installation Guide

PROTEC® TREATMENT CHART			
Fountain Size In U.S. Gals.	Initial Dosage		Optional Monthly Dose and splasher fountains
	Preventative	Removal	
1	1/4 tsp.	1/2 tsp.	1/4 tsp.
10	1/2 oz.	1 oz.	1/2 oz.
100	4 oz.	8 oz.	4 oz.
200	8 oz.	16 oz.	8 oz.

General
Cleaning:
Glass

A regular household glass cleaner such as Windex will suffice for cleaning the glass. Use the manufacturers suggested use operation.

General
Cleaning:
Stainless Steel

For cleaning Stainless Steel. We Recommend using Weimans® Stainless Steel Cleaner & Polish Aerosol on any exposed surfaces of stainless steel

Weimans® Stainless Steel & Polish Aerosol

Shake well before using.

- Spray directly onto surface.
- Wipe in the direction of the natural metal grain using a clean, soft cloth
- Buff with a dry cloth to achieve a brilliant shine

Glass Waterfall Installation Guide

Troubleshoot
Uneven Water
Flow

Problem	Solution
Dry spots on glass	First Run your hand over the dry area. If that doesn't resolve the issue. Check if base is level.
	Water flow is too low, adjust the control valve.
Pump not operating at full power	Air may be trapped inside the pump or piping. To resolve, disconnect all cables, disconnect pipes from the water pump and remove pump out of the water, allowing the air to escape. Next, submerge the pump back into the base and reconnect the plumbing from underwater.
Spitting/Misting from panel	Decrease water flow with the primary control valve
Spray Bar clogged	Open door on the header. Clogged spray nozzle. Unscrew the troubled, black nozzle by twisting counter clockwise, and run warm water through nozzle.
	Disengage the Spray Bar from the glass and rinse with CLR. Use a Pipe cleaner to dislodge any obstructions inside the nozzles
Pump Is Loud/ Can Hear A Sucking Sound	There is not enough water in the base
	Fill with more water.
Leaking Water	Leaking water
	DISCONNECT ALL ELECTRICAL CABLE. Check if water level is above electrical chase hole



Black Nozzle

Pump Is Loud/
Can Hear A
Sucking Sound

Leaking Water