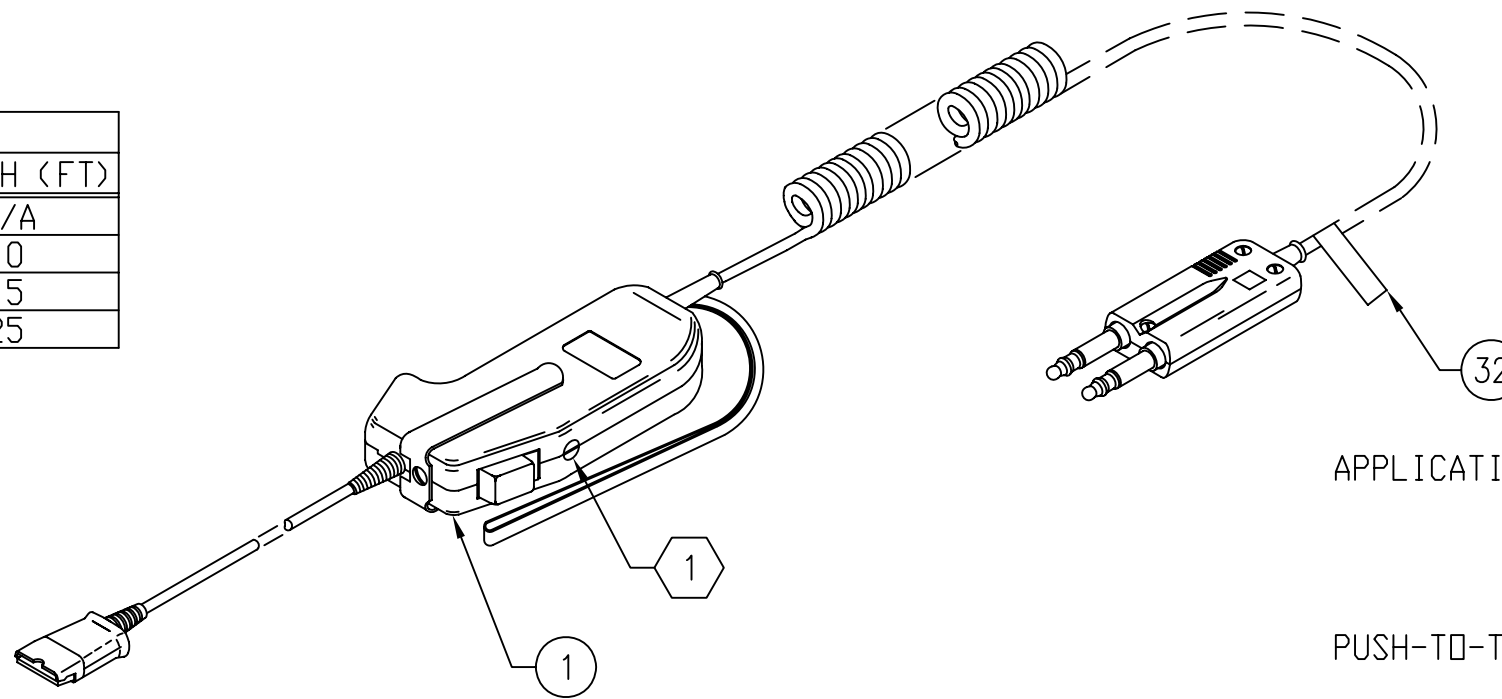


NOTES: UNLESS OTHERWISE SPECIFIED.

- 1 SET THE SELECTOR TO THE LOCKING POSITION.
2. THIS IS A 6-WIRE PUSH-TO-KEY AMPLIFIER WITH A PLANTRONICS ULTRA QUICK-DISCONNECT.

REVISION					
REV	DESCRIPTION	ECO NO.	DATE	BY	ENGR APP'D
A	PRODUCTION RELEASE	24669	09-MAY-01	CC	BC
B	ADD INDUSTRY CANADA LABEL	32314	22-MAR-07	SE	SE

CONN CABLE LENGTHS (EXTENDED)		
MODEL	DASH NO.	LENGTH (FT)
ASSOCIATED DRAWING	-DWG	N/A
SHS 1890-10	-10	10
SHS 1890-15	-15	15
SHS 1890-25	-25	25



FEATURES

APPLICATIONS

ALLOWS THE USE OF ANY PLANTRONICS H-SERIES TOP IN STANDARD CONTROLLER AND DISPATCH OPERATIONS.

PUSH-TO-TALK SWITCH

MOMENTARY OR LOCKING, SELECTABLE.

CABLES

CAPSULE

12-INCH STRAIGHT WITH ULTRA QUICK-DISCONNECT.

CONNECTOR

CONNECTOR

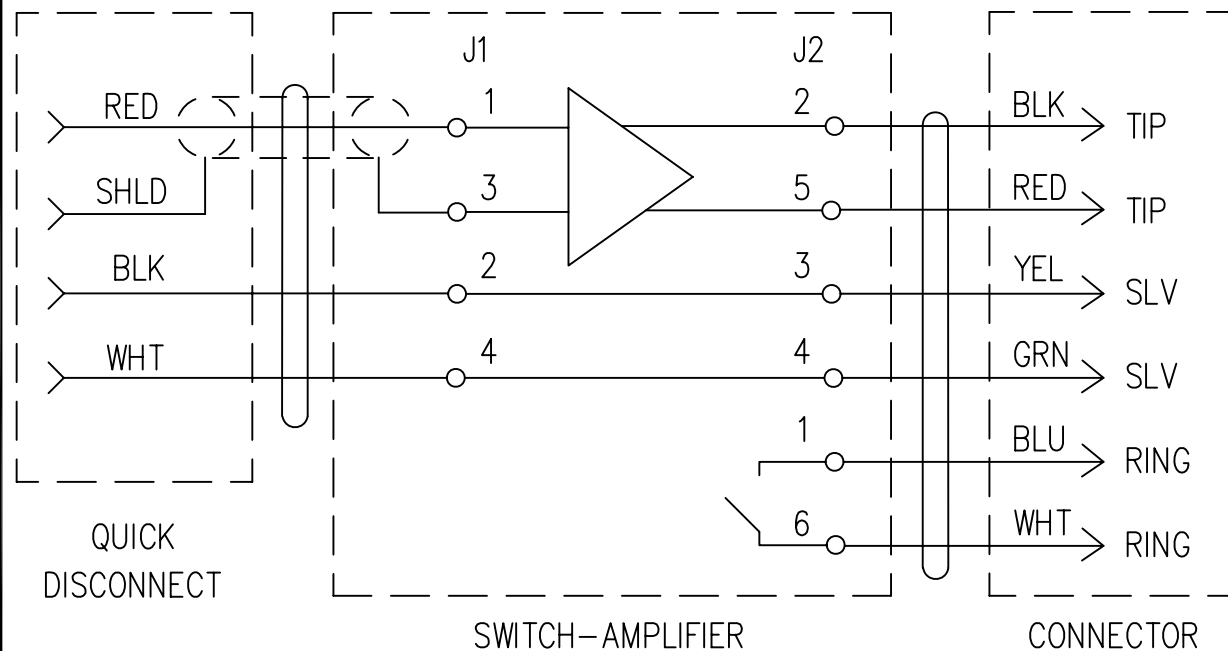
COLOR

SEE TABLE.

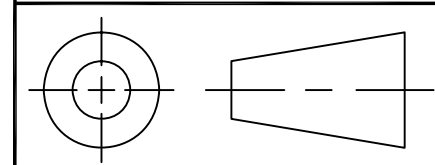
ADC PJ-7 OR EQUIVALENT.

BLACK.

SEE SEPARATE BILL OF MATERIALS



THIRD ANGLE PROJECTION



UNLESS OTHERWISE SPECIFIED DIMENSIONS ARE IN: INCHES AND TOLERANCES ARE: DECIMAL .XX = ± .01 .XXX = ± .005 ANGLE = ± 2° FRACTION = ± 1/16 MATERIAL: FINISH:	DO NOT SCALE		DRAWN BY C. CRAMER 09-MAY-01		PLANTRONICS SOUND INNOVATION	
	CHECKED BY		DEV ENG APPD			TITLE
	MFG APPD		PROD ENG APPD		MODEL SHS 1890-10,15,25	
	SIZE B	CAT CODE 01	DWG NO. 60825-DWG	REV. B	SCALE 1:- SHEET 1 OF 1	