

5

4

3

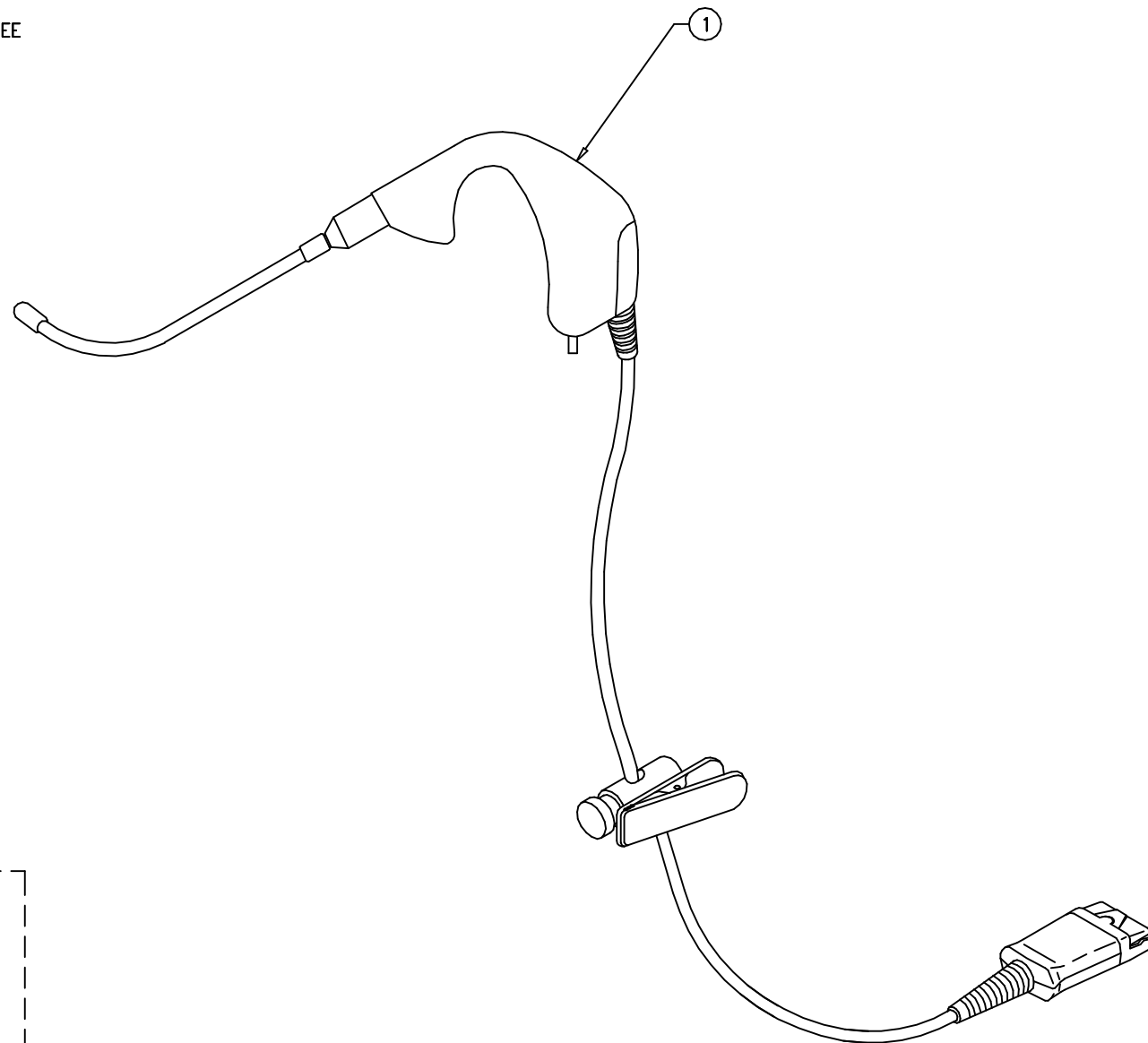
2

1

NOTES: (UNLESS OTHERWISE SPECIFIED)

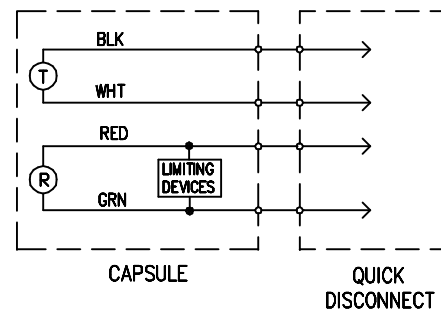
- 1. FOR ELECTRICAL CHARACTERISTICS SEE PRODUCT SPECIFICATION.
- 2. FOR A COMPLETE ILLUSTRATION OF ACCESSORIES AND PACKAGING SEE PACKING INSTRUCTIONS DRAWING.
- 3. FOR IMPRINTING AND PLACEMENT OF BAR CODE LABELS SEE IMPRINTING INSTRUCTIONS, BAR CODING.

REVISION				
REV	DESCRIPTION	ECO NO.	DATE	BY
A	PRODUCTION RELEASE	22501	09/16/98	CC KW BC

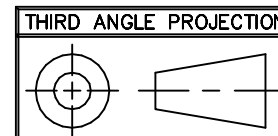


SPECIFICATIONS
OMNI-DIRECTIONAL MICROPHONE

QUICK DISCONNECT CABLE:
 CAPSULE CABLE _____ 32'
 COLOR _____ BLACK
 RECEIVER IMPEDANCE _____ 600 OHMS



SEE SEPARATE BILL OF MATERIALS MATING PART. SEE NOTE



UNLESS OTHERWISE SPECIFIED DIMENSIONS ARE IN: INCHES AND TOLERANCES ARE: DECIMAL .XX = ± .XXX = ± ANGLE = ± FRACTION = ± 1/16		DO NOT SCALE DRAWN BY C. CRAMER 09/16/98 CHECKED BY KW 09/16/98 REV ENG APPD B. COOPER 09/16/98 MFG APPD PROD ENG APPD		PLANTRONICS Santa Cruz, Ca. TITLE MODEL H31CD	
SIZE D	CAT CODE 01	DWG NO. 43674-01	REV. A	SCALE 1:1 SHEET 1 OF 1	

DWG NO. D-01-43674 A

5

4

3

2

1